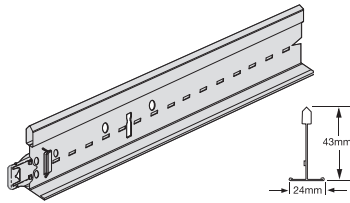


SEISMIC Rx[®] SYSTEM



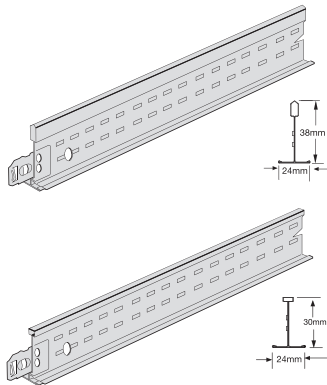
Exposed 24mm grid system (nominal).
Independently tested approach using Prelude XL² grid to achieve ceiling installations that can withstand the forces associated with significant seismic activity or other severe events.

Universal Main Runners Prelude 24 Peakform and Superlock Clip (bulb-to-bulb connection)



| Item Nr. | Dimensions | | Content / Carton | | Weight / Carton kg | Cartons / Pallet |
|---------------------------|-------------|-------------|------------------|-------|-----------------------|------------------|
| | length (mm) | height (mm) | pcs | lm | | |
| 31 40 32 A ⁽¹⁾ | 3600 | 43 | 20 | 72,00 | 21,00 | 30 |
| 31 41 33 B | 3750 | 43 | 20 | 67,50 | 20,00 | 30 |

Cross Tees Prelude 24 XL² (stab system, override)



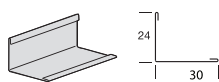
Cross Tees slotted

| | | | | | | |
|---------------------------|------|----|----|-------|-------|----|
| 31 30 51 B ⁽¹⁾ | 1200 | 38 | 60 | 72,00 | 18,20 | 72 |
| 31 31 51 B ⁽¹⁾ | 1250 | 38 | 60 | 75,00 | 18,90 | 72 |

Cross Tees unslotted

| | | | | | | |
|---------------------------|-----|----|----|-------|------|-----|
| 31 20 21 A ⁽¹⁾ | 600 | 30 | 60 | 36,00 | 8,20 | 144 |
| 31 21 23 A ⁽¹⁾ | 625 | 30 | 60 | 37,50 | 8,60 | 144 |

Accessories



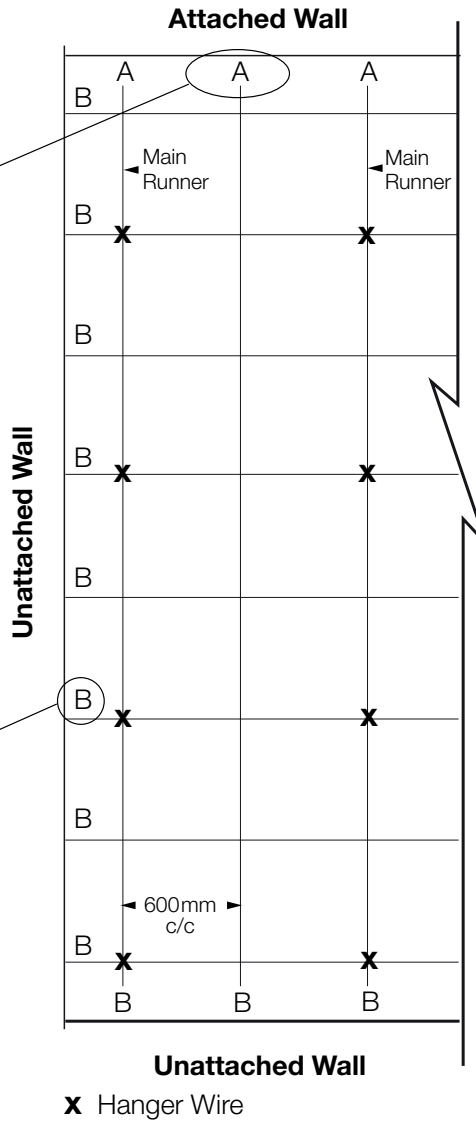
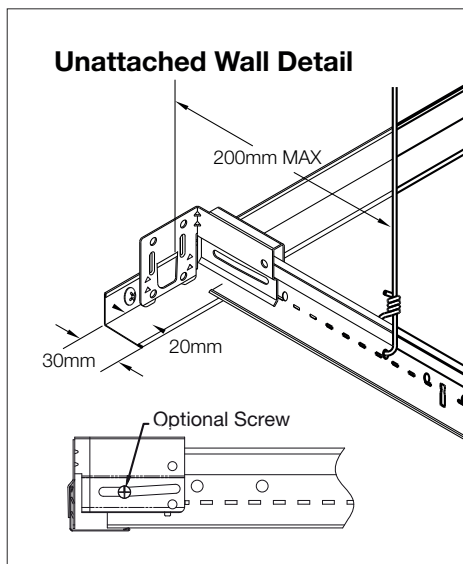
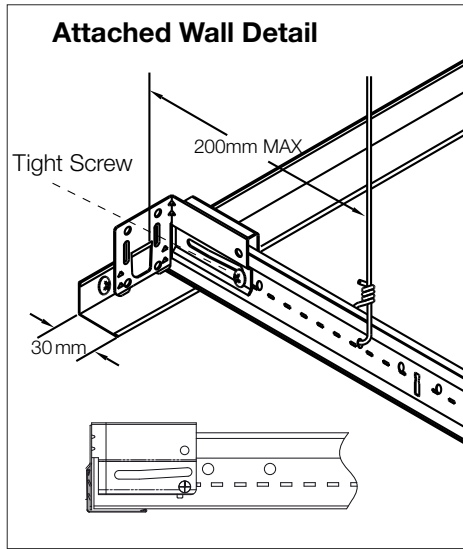
| Item Nr. | Description | Dimensions length (mm) | Quantity / Carton pcs | Weight / Carton kg | Cartons / Pallet |
|----------|--|---------------------------|--------------------------|-----------------------|---------------------|
| T 3024 H | Perimeter angle, painted | 3000 | 40 | 28,50 | 50 |
| BERC2 | Main Runner end retaining clip | 50 | 200 | 9,00 | 36 |
| SJCG | Seismic joint clip XL ² Cross Tee (24mm) | - | 200 | 7,00 | 36 |
| SJMR15 | Seismic joint clip Peakform Main Runner (24mm) | - | 100 | 11,00 | 60 |
| ES 4 | Expansion sleeve (24mm) | 100 | 100 | 1,00 | 170 |
| 442 | Vector Seismic clip | - | 100 | 1,63 | - |

(1) Standard Colours available : BK (Black), CA (Carrara), PN (Platinum), BS (Brass), CE (Chrome), SG (RAL9006), WR (RAL 9010). A further 180 RAL colours are available as a special on request. Please contact your **local sales office**.

Availability of products may vary according to location.

System Drawing

- T 3024 H perimeter trim
- BERC2 on all (four) sides of room prevents ends of Cross Tees and Main Runners from spreading apart
- 20mm clearance on two adjacent sides and 10mm overlap of grid on the perimeter trim



Note: some recommendations / guidelines require additional hangers on perimeter Cross Tees within 200mm of the perimeter. This is not a requirement of the Seismic Rx[®] solution using the BERC2 clip, but may also be incorporated to provide additional system security in very high hazard areas e.g. emergency services control centre, where full functionality is planned post event.

Availability of products may vary according to location. Please contact **Armstrong Technical Sales** for further details.

UNITED KINGDOM / REPUBLIC OF IRELAND

Armstrong World Industries Ltd.

Building Products Division

Armstrong House

38 Market Square

Uxbridge UB8 1NG

Tel : **0800 371849 (UK)**

1800 409002 (ROI)

FREEPHONE

Fax : +44 (0) 1895 274287

e-mail : sales-support@armstrong.com

www.armstrong-ceilings.co.uk

www.armstrong-ceilings.ie

www.armstrong.eu

