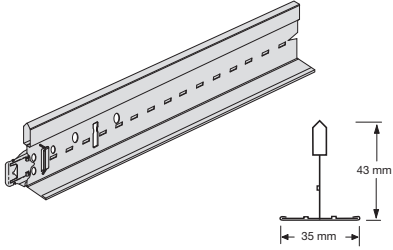


PRELUDE 35 XL²



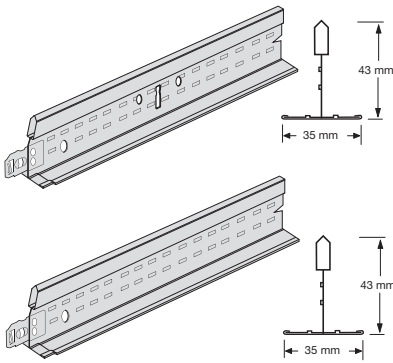
Exposed 35 mm grid system (nominal).
For use in large shed type buildings including retail outlets, industrial manufacturing and meeting halls, etc...

Main Runners Peakform Prelude 35 XL² (bulb-to-bulb connection)



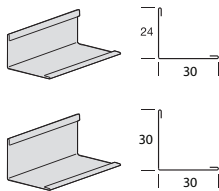
Item Nr.	Dimensions		Content / Carton		Weight / Carton kg	Cartons / Pallet
	length (mm)	height (mm)	pcs	lm		
White capping						
24 40 42	3600	43	16	57,60	22,20	20
Galvanised capping						
24 40 42 UP	3600	43	16	57,60	23,50	20
Black capping						
24 40 42 BK	3600	43	16	57,60	22,20	20

Cross Tees Peakform Prelude 35 XL² (stab system, override)



White capping						
24 06 42	1990	43	16	31,80	12,30	20
24 36 42	1500	43	32	48,00	16,60	20
24 30 42	1200	43	36	43,20	14,90	60
24 20 42	600	43	36	21,60	7,50	120
Galvanised capping						
24 06 42 UP	1990	43	16	31,80	13,00	20
24 36 42 UP	1500	43	32	48,00	17,70	20
24 30 42 UP	1200	43	36	43,20	15,90	60
24 20 42 UP	600	43	36	21,60	8,00	120
Black capping						
24 06 42 BK	1990	43	16	31,80	12,30	20
24 36 42 BK	1500	43	32	48,00	16,60	20
24 30 42 BK	1200	43	36	43,20	14,90	60
24 20 42 BK	600	43	36	21,60	7,50	120

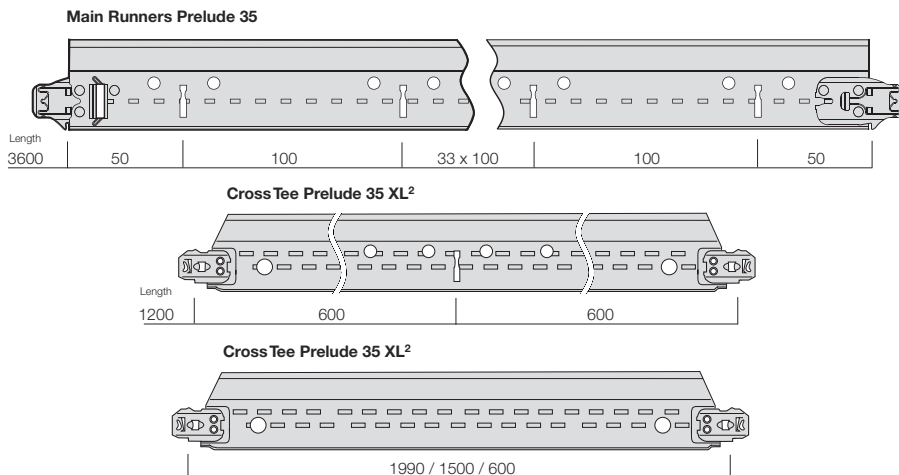
Perimeter Trim



Item Nr.	Description	Dimensions		Content / Carton		Weight / Carton kg	Cartons / Pallet
		length (mm)	height (mm)	pcs	lm		
T 3024 H	Perimeter angle, White painted	3000	24	40	120,00	28,50	50
T 3030 H*	Perimeter angle, White painted	3000	30	30	90,00	25,00	40

* Also available in Galvanised (UP) and Black (BK)
Please add the corresponding suffix to the item number when placing the order.

Section Drawings



Cross Tee alignment is achieved by locating the tees to the right-hand side of the adjoining section.
All dimensions in millimetres. All sizes are nominal.

Key Attributes

- **Peakform**
Patented universal Main Runner and Cross Tee design increase strength and stability for improved performance and makes the grid easier to cut
- **Rotary stitched**
Main Runner and Cross Tees for additional torsional strength and extra stability during installation

Physical Data

- **Material**
Double-web galvanised steel
- **Surface Finish**
Baked polyester paint
- **Product Family**
Exposed tee system
- **Main Runner / Cross Tee Interface**
Joggled ends
- **End Detail**
Main Runner : with Superlock clip, by pass coupling, single stitching
Cross Tees : staked-on stab clip, double stitching
- **Colour**
Available in White, Galvanised and Black.

Grid Load Capacities

Prelude 35 XL² System

The following table gives the maximum permitted hanger distance (L) along the Main Runner (24 40 42).

Tile weight	Hanger spacing			
	Main Runner spacing 1990 mm (x 1000 mm) 1990 mm XL ² Cross Tee 24 06 42	Main Runner spacing 1500 mm (x 1000 mm) 1500 mm XL ² Cross Tee 24 36 42	Main Runner spacing 1200 mm (x 600 mm) 1200 mm XL ² Cross Tee 24 30 42	Main Runner spacing 600 mm (x 600 mm) 600 mm XL ² Cross Tee 24 20 42
2,5 kg/m ²	1700	1900	1900	2000
3,0 kg/m ²	1600	1800	1850	2000
3,5 kg/m ²	1550	1700	1750	2000
4,0 kg/m ²	-	1650	1700	2000
4,5 kg/m ²	-	1600	1650	2000
5,0 kg/m ²	-	1550	1600	2000
5,5 kg/m ²	-	1500	1550	1950
6,0 kg/m ²	-	1400	1500	1900
6,5 kg/m ²	-	1350	1500	1900
7,0 kg/m ²	-	1300	1450	1850
8,0 kg/m ²	-	1250	1400	1750
9,0 kg/m ²	-	-	1300	1700
10,0 kg/m ²	-	-	1250	1650
12,0 kg/m ²	-	-	1150	1550
14,0 kg/m ²	-	-	1050	1450

- 1) Values in the above table conform to Class 1 as defined in EN 13964:2004+A1:2006 table 6.
For other classes /deflection limits please contact your **local Armstrong Technical Sales team**.
- 2) Values are determined from laboratory tests methods in accordance with EN 13964:2004+A1:2006 clause 5.
- 3) Values are applicable for 600 x 600 mm tiles assuming that the maximum deflection of the grid is L/500 but not greater than 4 mm (L = span).
- 4) **No other applied loads such as luminaires, air diffusers, smoke detectors, sprinklers, hanging signs etc. are permitted.**
- 5) No overlays such as mineral wool or fibre glass quilts, as may be required for enhanced acoustic, fire or thermal performance, are permitted unless their full weight is established and included, together with the weight of the tile, within the appropriate weight groups.
- 6) For grid loading data calculated to different criteria than Class 1 to EN13964:2004+A1:2006, please contact your local **Armstrong Technical Sales team**.

Availability of products may vary according to location.
Please contact **Armstrong Technical Sales** for further details.

UNITED KINGDOM / REPUBLIC OF IRELAND

Armstrong World Industries Ltd.

Building Products Division

Armstrong House

38 Market Square

Uxbridge UB8 1NG

Tel : **0800 371849 (UK)** **FREEPHONE**

1800 409002 (ROI)

Fax : +44 (0) 1895 274287

e-mail : sales-support@armstrong.com

www.armstrong-ceilings.co.uk

www.armstrong-ceilings.ie

www.armstrong.eu

