

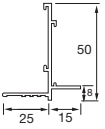
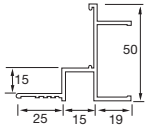
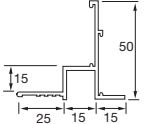
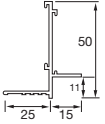
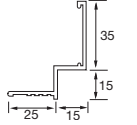


# AXIOM TRANSITIONS



The 5 sections are designed to provide a flush transition between plaster margin and mineral, metal or wooden suspended ceilings.

## Axiom Transitions

Item Nr.	Description	Dimensions		Content / Carton		Weight / Carton kg	Cartons / Pallet
		length (mm)	height (mm)	pcs	lm		
 T 3208 G <sup>(1)</sup>	Axiom Transitions for Tegular/MicroLook	3000	50	10	30,00	11,80	36
 T 3219 G <sup>(1)</sup>	Axiom Transitions channel	3000	50	10	30,00	17,10	36
 T 3215 G <sup>(1)</sup>	Axiom Transitions angle	3000	50	10	30,00	15,00	36
 T 3210 G <sup>(1)</sup>	Axiom Transitions for Vector tiles	3000	50	10	30,00	11,80	36
 T 3225 G <sup>(1)</sup>	Axiom Transitions plasterboard perimeter trim	3000	50	10	30,00	11,30	36

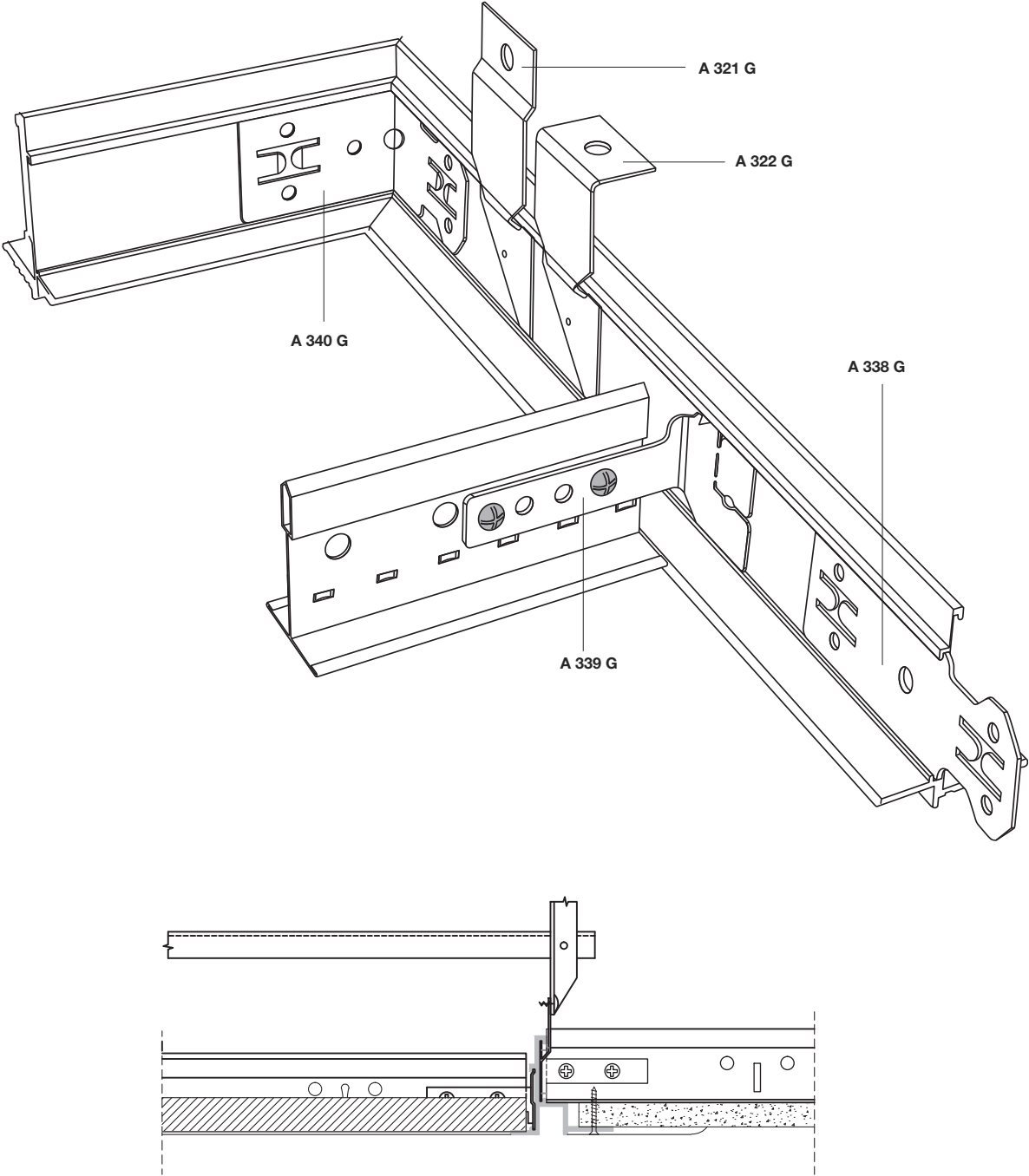
## Accessories for Axiom Transitions

Item Nr.	Description	Dimensions height (mm)	Content / Carton pcs	Weight / Carton kg
 A 321 G	Axiom Transitions suspension clip – straight	79	100	2,10
 A 322 G	Axiom Transitions suspension clip – angled	62	100	2,10
 A 340 G	Axiom universal corner clip	-	100	2,10
 A 338 G	Axiom universal splice plate	-	100	2,10
 A 339 G	Axiom universal T bar connector clip	-	100	2,10
 A 344 G	Axiom universal hanging clip	-	100	2,10

(1) Also available in colour RAL 9010 (WR).

**Note:** As Axiom is an aluminium extrusion it should not be used in ceiling assemblies where structural fire protection is required. All measurements in millimetres. All sizes are nominal.

System Drawing



UNITED KINGDOM / REPUBLIC OF IRELAND

**Armstrong World Industries Ltd.**

Building Products Division

Armstrong House

38 Market Square

Uxbridge UB8 1NG

Tel : **0800 371849 (UK)** **FREEPHONE**

**1800 409002 (ROI)**

Fax : +44 (0) 1895 274287

e-mail : sales-support@armstrong.com

**www.armstrong-ceilings.co.uk**

**www.armstrong-ceilings.ie**

**www.armstrong.eu**

